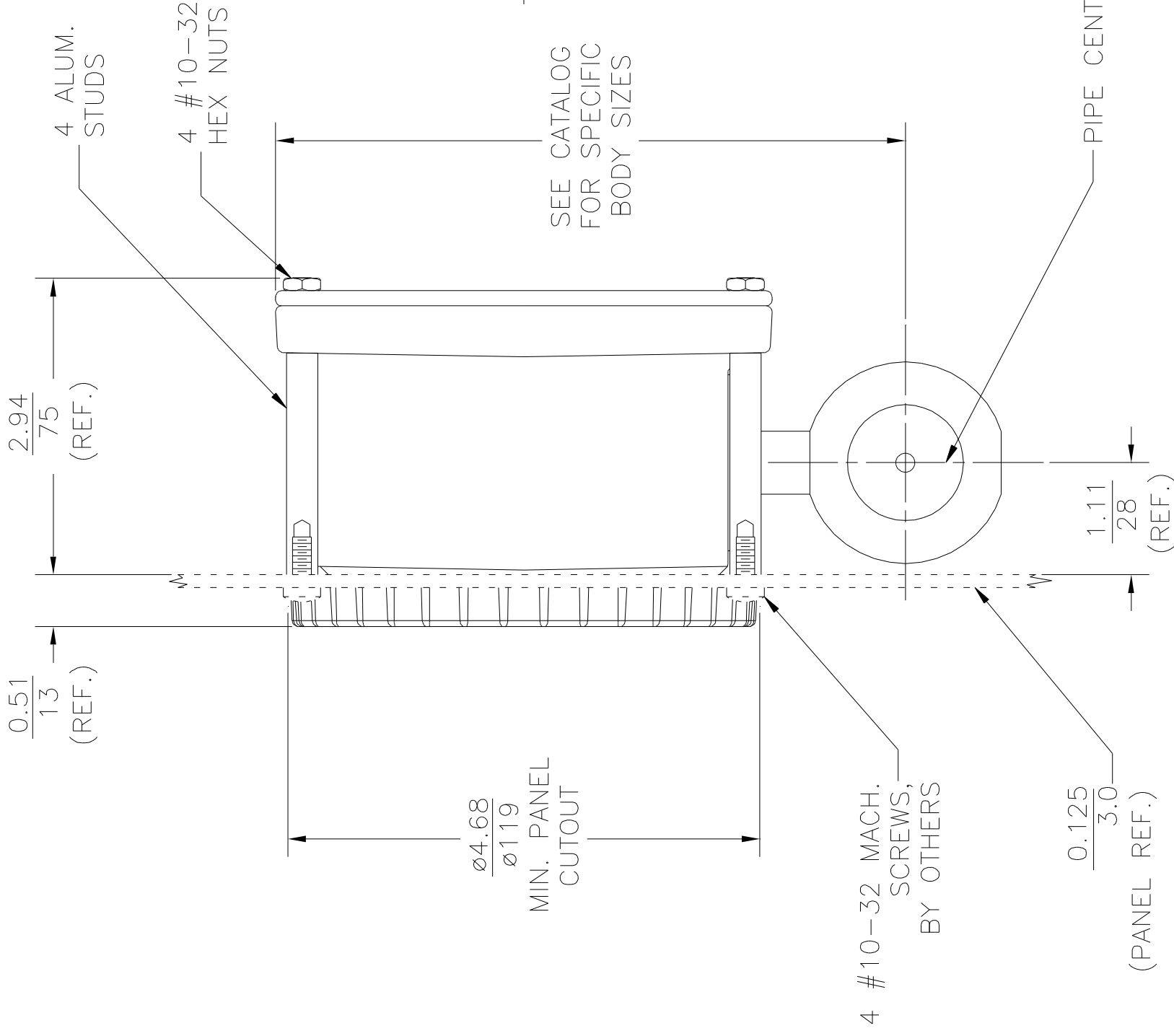
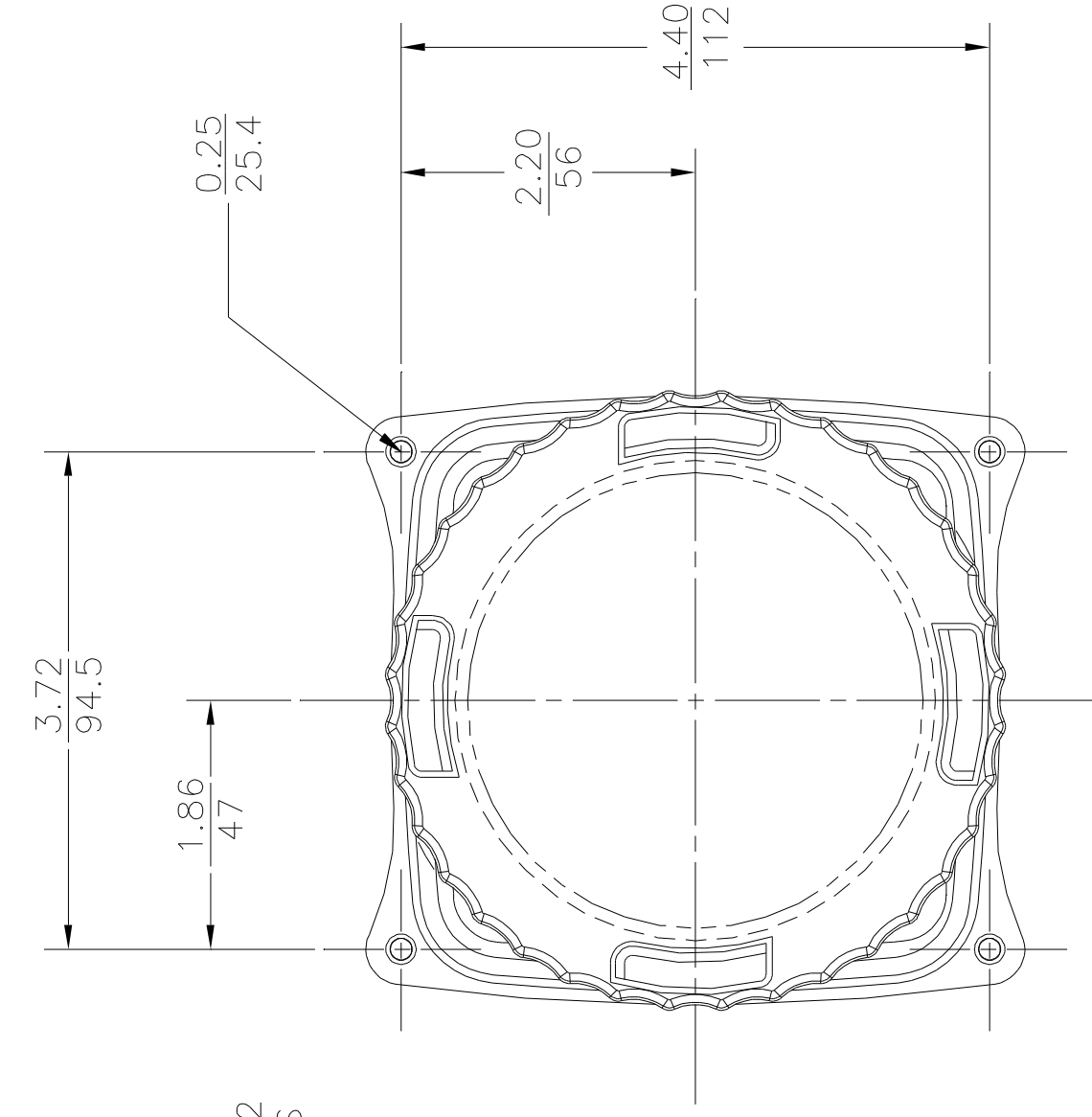


LTR	DATE	BY	CHECK	REVISIONS
A	8/11/00			INITIAL DESIGN



NOTES:
1. DIMENSION FORMAT $\frac{\text{in}}{\text{mm}}$

ITEM	DWG. NO.	DESCRIPTION OF MATERIALS	QTY.
		POLYCARBONATE	
UNLESS OTHERWISE SPECIFIED: DIMENSIONS ARE IN INCHES TOLERANCES: FRACTIONS: E X .XX .XXX ANGLES: E SURFACE FINISH: S			
RCM Industries, Inc. 110 MASON CIRCLE CONCORD, CA. 94520			
DRAWN BY: _____ DATE: 8/11/00			
CHECKED BY: _____			
SCALE: 1:1 SIZE: C DWG NO.: 6362 REV: A			

PANEL MOUNT
HOUSING

