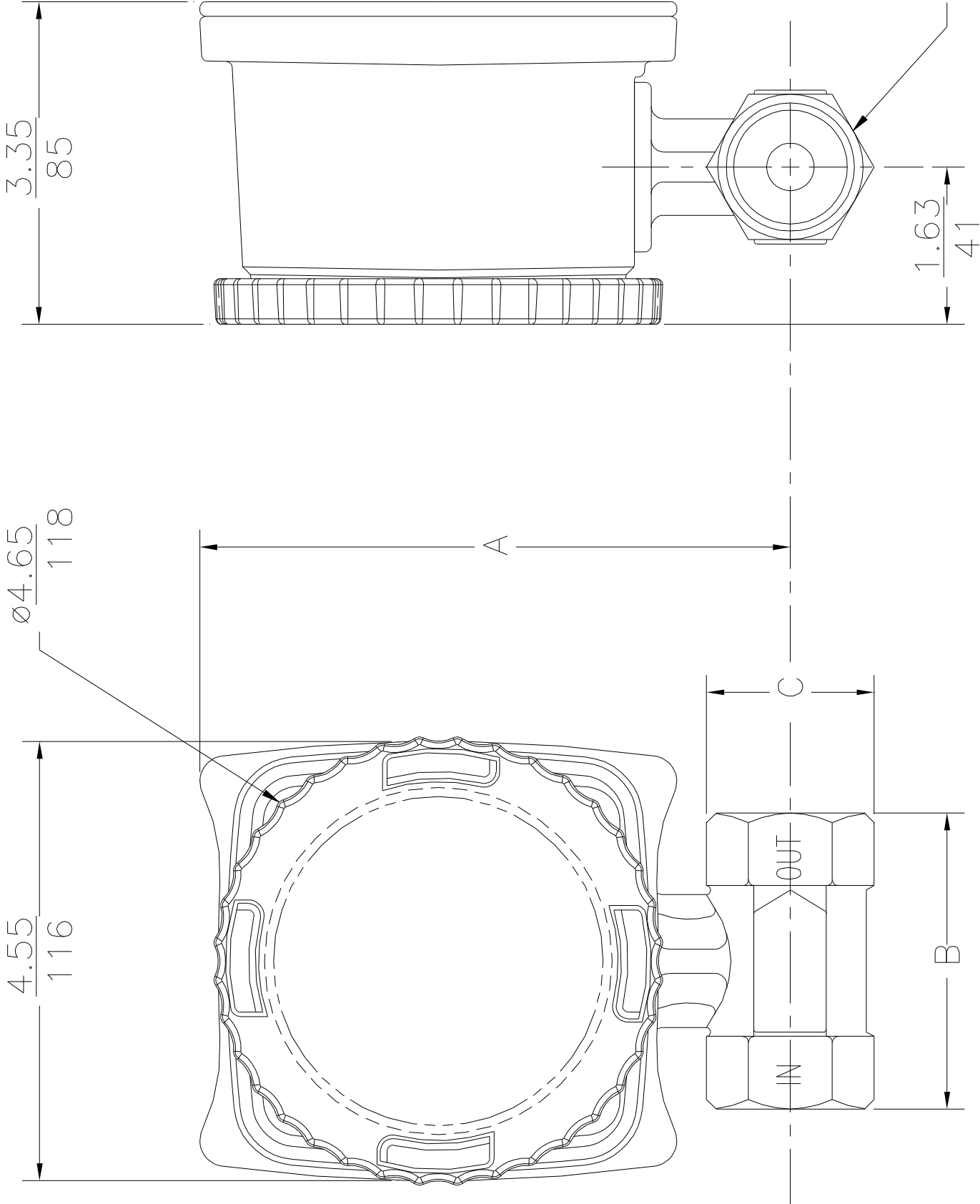


REVISIONS	
LTR	DATE
A	8/11/00
B	1/28/05



NOTES:
1. DIMENSION FORMAT IS $\frac{\text{in}}{\text{mm}}$

SERIES 7000 SST

SERIES 7000 BRNZ & MONEL

PIPE SIZE	DIMENSION									
	A		B		C		D			
in	mm	in	mm	in	mm	in	mm	in	mm	
0.25	08	5.20	132	3.06	78	1.06	27	1.06	27	sq
0.5	15	5.20	132	3.06	78	1.06	27	1.06	27	sq
0.75	20	5.95	151	3.06	78	1.50	38	1.25	32	rnd
1.0	25	6.07	154	3.06	78	1.75	44	1.50	38	rnd
1.5	40	6.39	162	3.06	78	2.50	64	2.12	54	rnd
2.0	50	6.80	172	3.19	81	3.19	81	2.75	70	rnd
3.0	80	7.48	190	4.19	106	4.62	117	4.00	102	rnd

PIPE SIZE	DIMENSION									
	A		B		C		D			
in	mm	in	mm	in	mm	in	mm			
0.25	08	5.95	151	3.06	78	1.50	38	1.25	32	hex
0.5	15	5.95	151	3.06	78	1.50	38	1.25	32	hex
0.75	20	5.95	151	3.06	78	1.50	38	1.25	32	hex
1.0	25	6.07	154	3.06	78	1.75	44	1.50	38	hex
1.5	40	6.39	162	3.06	78	2.50	64	2.12	54	hex
2.0	50	6.80	172	3.19	81	3.19	81	2.75	70	hex
3.0	80	7.48	190	4.19	106	4.62	117	4.00	102	hex

ITEM	DWG. NO.	DESCRIPTION OF MATERIALS	QTY.
UNLESS OTHERWISE SPECIFIED: DIMENSIONS ARE IN INCHES TOLERANCES			
FRACOINS: E			
.X			
.XX			
.XXX			
ANGLES: E			
SURFACE FINISH: S			
DRAWN BY			
DATE 8/11/00			
CHECKED BY			
SCALE 1:1			
SIZE C			
DWG NO. 6391			
REV B			

RCM Industries, Inc. 110 MASON CIRCLE
CONCORD, CA. 94520

SERIES 7000 FLOWMETER
HOUSING-BODY
ASSEMBLY