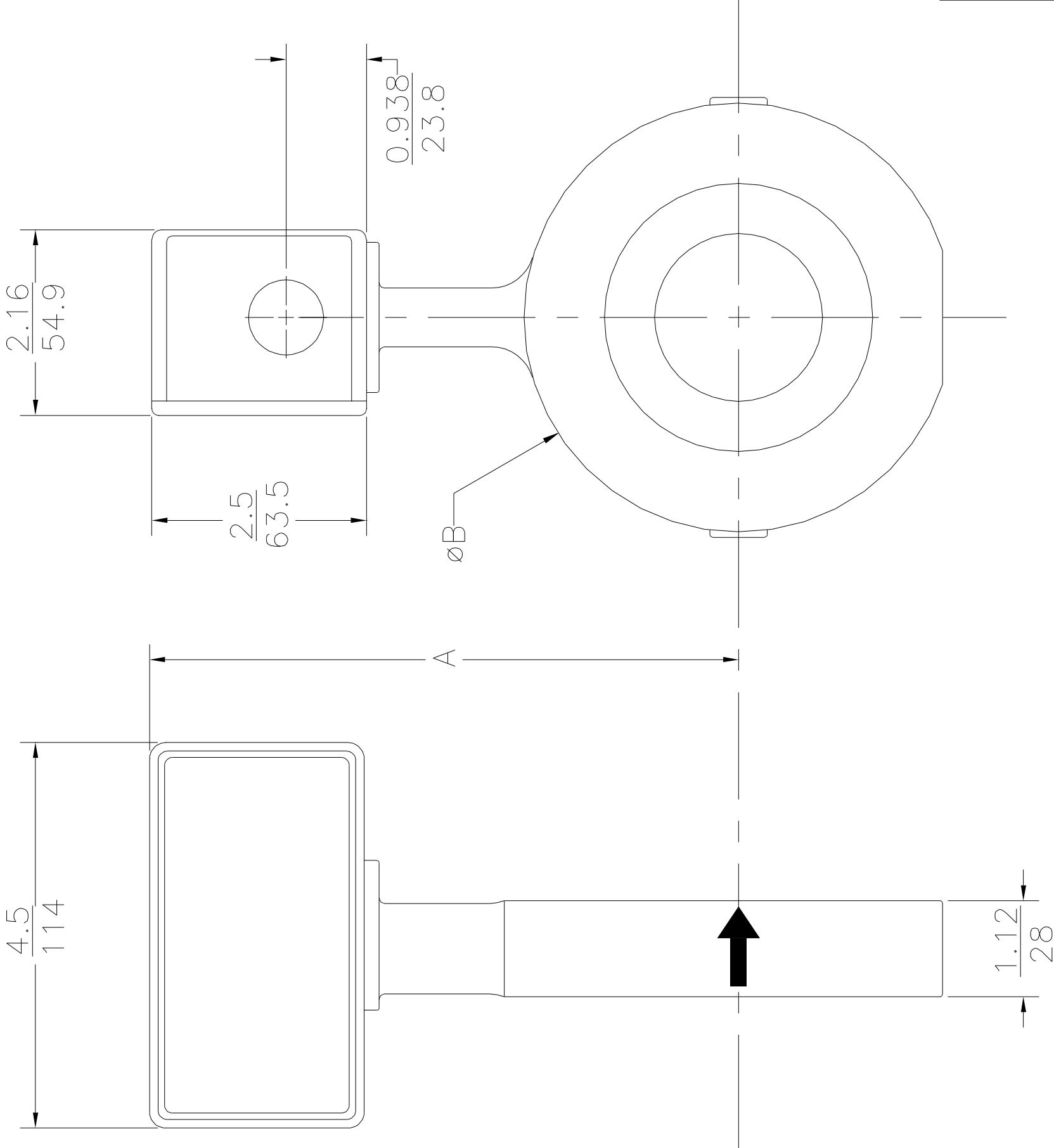


REVISIONS	
LTR	DATE
A	5/14/98
B	01/24/02

INITIAL DESIGN  
CHANGED BOX NO DRAFT



# SERIES 8000

PIPE SIZE	DIMENSION				
	A		B		
in	mm	in	mm	in	mm
0.5	15	4.62	117	1.69	43
0.75	20	5.06	129	2.00	51
1.0	25	5.25	133	2.38	60
1.5	40	5.81	148	3.12	79
2.0	50	6.00	152	3.75	95
2.5	65	6.54	166	4.25	108
3.0	80	6.87	175	5.00	127
4.0	100	7.95	202	6.13	156
5.0	125	8.36	212	7.38	187
6.0	150	9.05	230	8.38	213
8.0	200	10.30	262	10.38	264

NOTES:  
1. DIMENSION FORMAT IS  $\frac{\text{in}}{\text{mm}}$

ITEM	DWG. NO.	DESCRIPTION OF MATERIALS	QTY.
UNLESS OTHERWISE SPECIFIED: DIMENSIONS ARE IN INCHES TOLERANCES			
FRACTIONS: E			
.X			
.XX			
.XXX			
ANGLES: E			
SURFACE FINISH: S			
DRAWN BY			DATE
			5/14/98
CHECKED BY			SCALE
			1:1
			SIZE C
			DWG NO.
			6512
			REV B

RCM Industries, Inc. 110 MASON CIRCLE  
CONCORD, CA. 94520

SERIES 8000 FLOWMETER  
BLIND TRANSMITTER  
ASSEMBLY