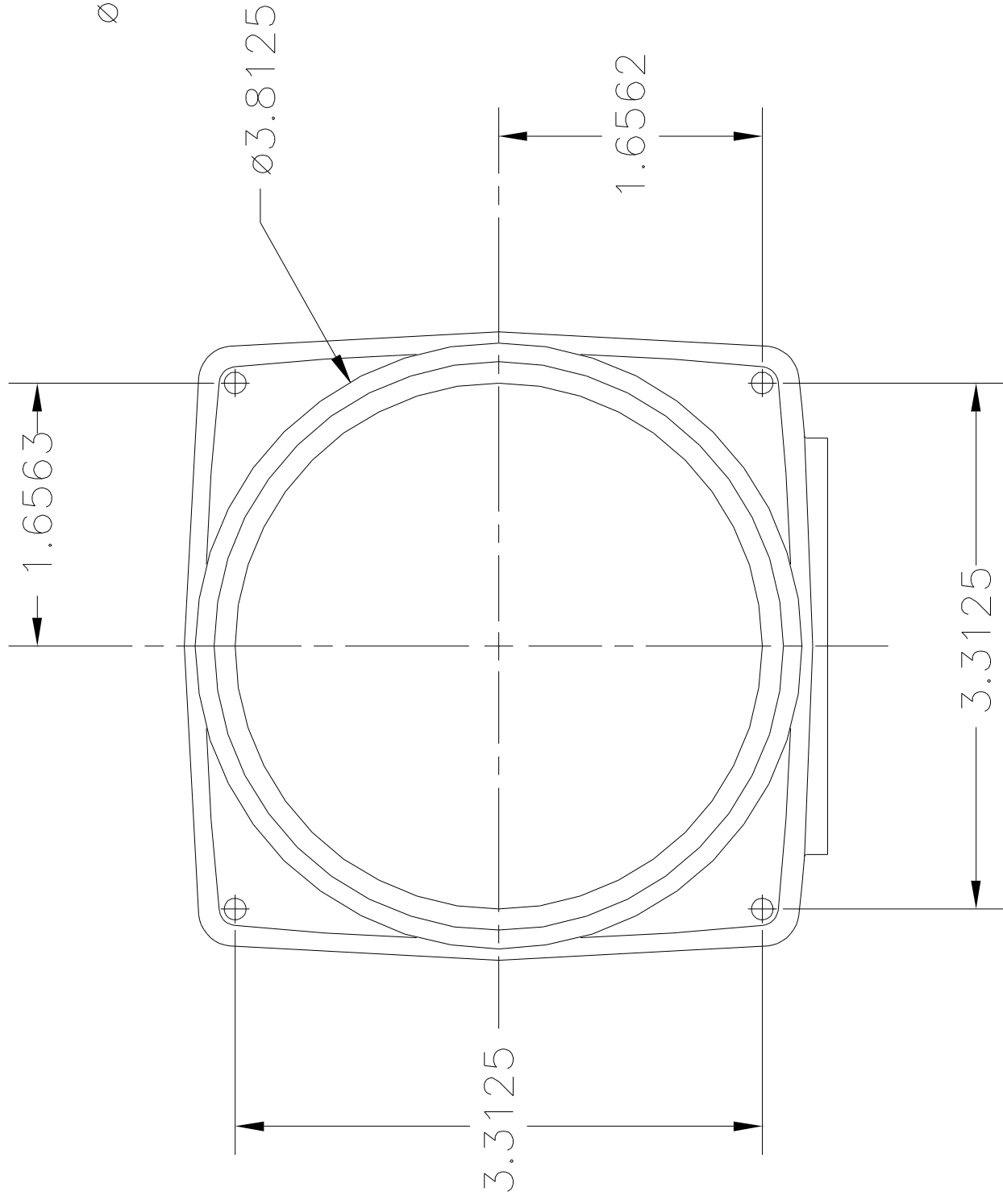
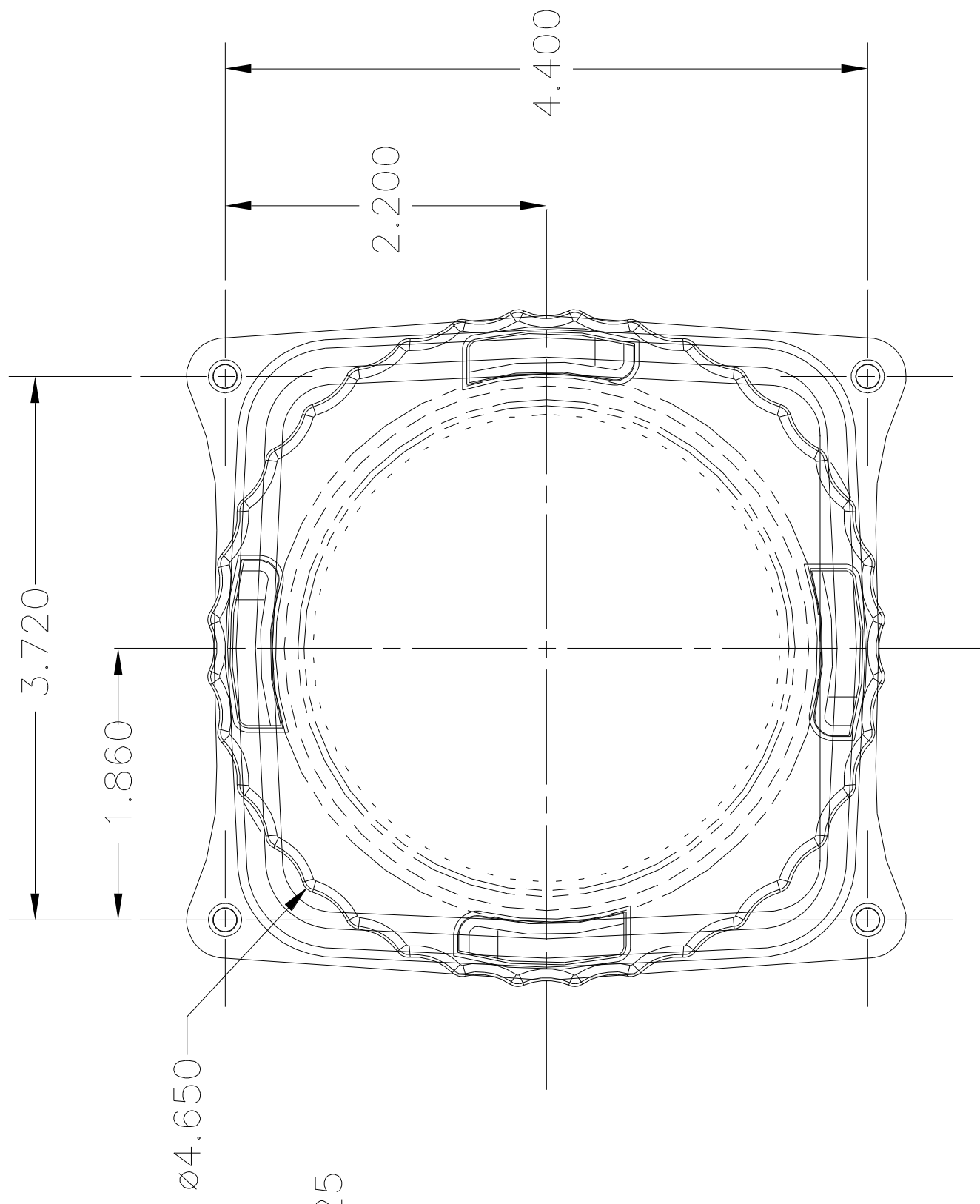


OLD HOUSING



NEW HOUSING



UNLESS OTHERWISE SPECIFIED:
DIMENSIONS ARE IN INCHES

TOLERANCES

FRACTIONS: E

.X E

.XX E

.XXX E

ANGLES: E

SURFACE FINISH: S

DATE

8/11/00

DRAWN BY

CHECKED BY

RCM

Industries, Inc.

110 MASON CIRCLE
CONCORD, CA. 94520

PANEL MOUNT
COMPARISON

SCALE 1:1

SIZE B

DWG NO.

6589

REV A