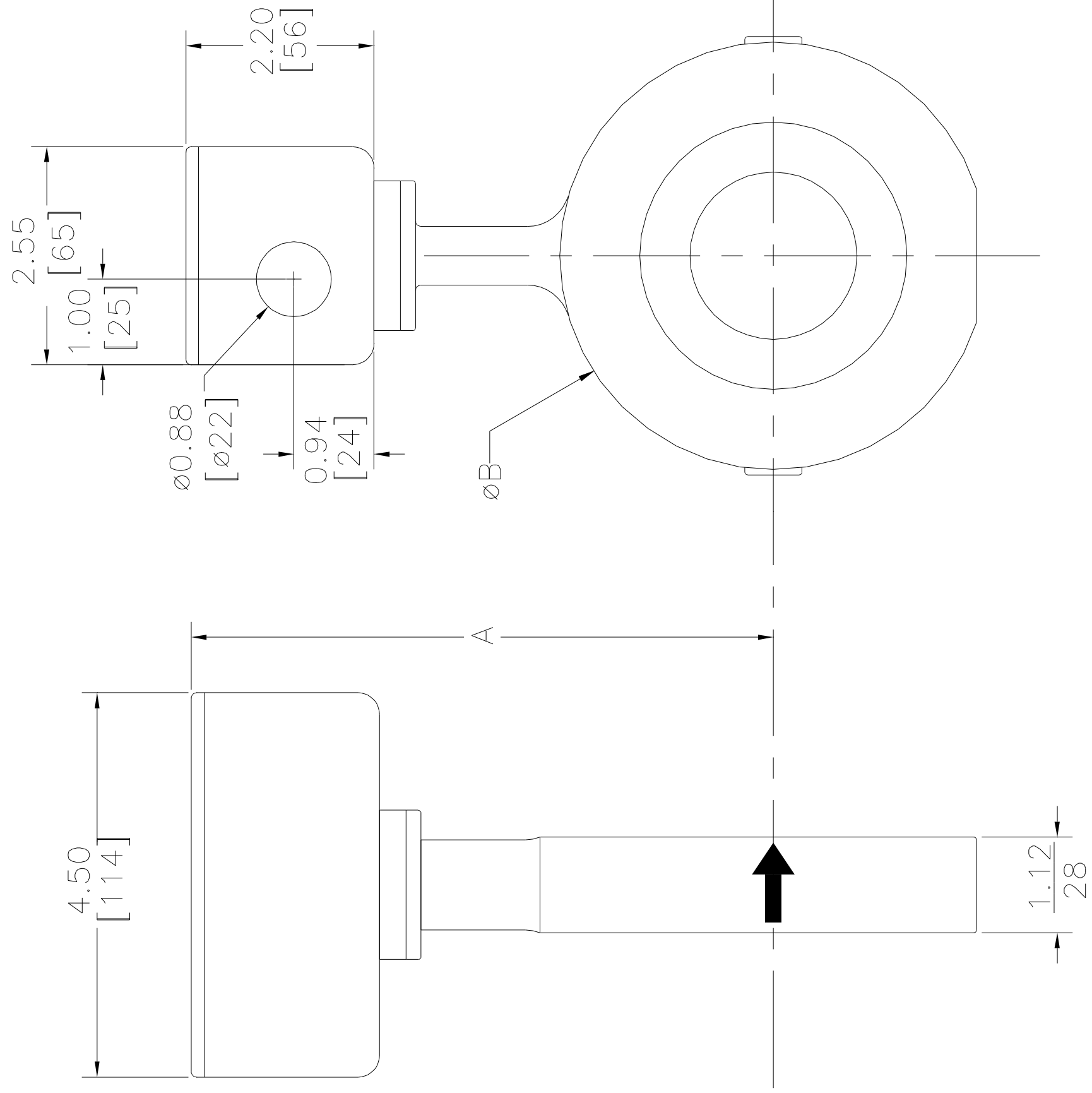


REVISIONS	
LTR	DATE
A	9/24/01
B	1/25/01

INITIAL DESIGN

CHANGED TO SQUARE HOUSING

SERIES 2000



PIPE SIZE		DIMENSION			
		A		B	
in	mm	in	mm	in	mm
0.5	15	4.6	117	1.69	43
0.75	20	5.04	128	2.00	51
1.0	25	5.23	133	2.38	60
1.5	40	5.79	147	3.12	79
2.0	50	5.98	152	3.75	95
2.5	65	6.48	165	4.25	108
3.0	80	6.85	174	5.00	127
4.0	100	7.92	201	6.13	156
5.0	125	8.32	211	7.38	187
6.0	150	9.04	230	8.38	213
8.0	200	10.29	261	10.38	264

NOTES:
1. DIMENSION FORMAT IS $\frac{\text{in}}{\text{mm}}$

ITEM	DWG. NO.	DESCRIPTION OF MATERIALS	QTY.
UNLESS OTHERWISE SPECIFIED: DIMENSIONS ARE IN INCHES			
TOLERANCES			
FRACTIONS:	E		
.X	E		
.XX	E		
.XXX	E		
ANGLES:	E		
SURFACE FINISH:	S		
DRAWN BY			
DATE	9/24/01		
CHECKED BY			
SCALE	1:1	SIZE C	DWG NO. 6642
			REV B

RCM Industries, Inc. 110 MASON CIRCLE CONCORD, CA. 94520

SERIES 2000 FLOWSWITCH HOUSING-BODY ASSEMBLY