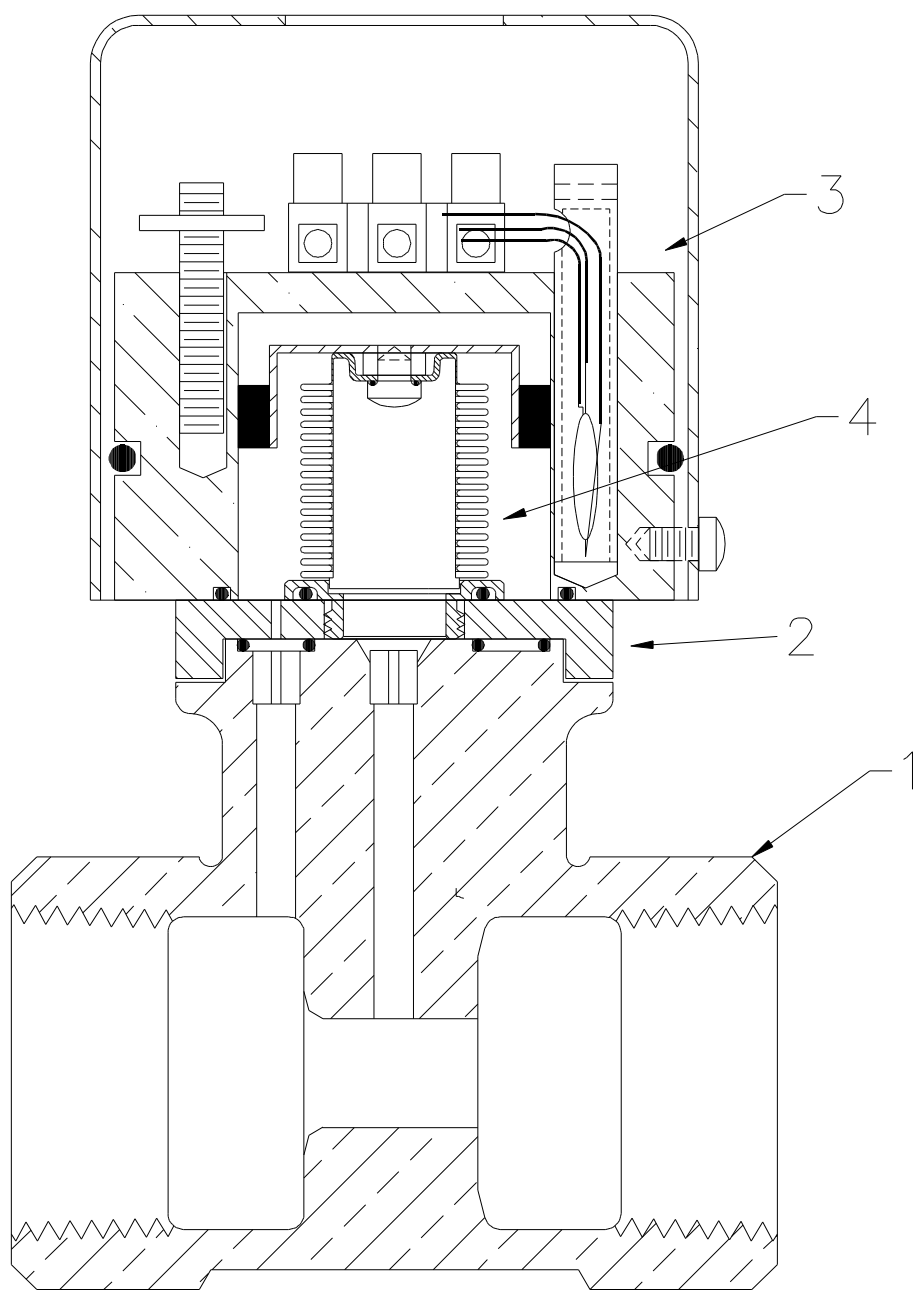


LTR	DATE	BY	CHECK	REVISIONS
A	05/10/06			INITIAL DESIGN



△ A

4	6630	STAINLESS STEEL BELLOW	1
4	4661	BRONZE BELLOW	1
3	6630	ALUMINUM BODYBLOCK	1
2	6639	ALUMINUM ADAPTER BLOCK	1
1		1000 OR 2000 BODY	1
ITEM	DWG. NO.	DESCRIPTION OF MATERIALS	QTY.
UNLESS OTHERWISE SPECIFIED: DIMENSIONS ARE IN INCHES TOLERANCES		RCM Industries, Inc. 110 MASON CIRCLE CONCORD, CA. 94520	
FRACTIONS:	E	SERIES 1000 & 2000 FLOWGARD CUTAWAY ASSY	
.X	E	PAGE OF	
.XX	E	REV A	
.XXX	E		
ANGLES:	E		
SURFACE FINISH:	S		
DRAWN BY	DATE	SCALE 2:1	SIZE C
	05/10/06	DWG NO. 6919	
CHECKED BY			